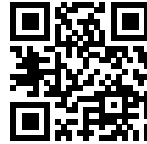


Granit Line Bowl

Composite Sinks

Code: 1753 001



DETAILS

Edge/Installation Type Top-mount | Undermount

Material Quartz composite

Coloring Black

Base 60 cm

Width 53 cm

Dimensions 530 x 460 mm

Bowl dimension 500 x 400 mm

Built-in hole [View technical data sheet](#)

Standard fittings Fixing hooks, gasket, drain, overflow and siphon, boxed packing

Mixer holes No standard holes

Drainer No

Number of bowls 1 bowl

Waste fitting 3,5" drain

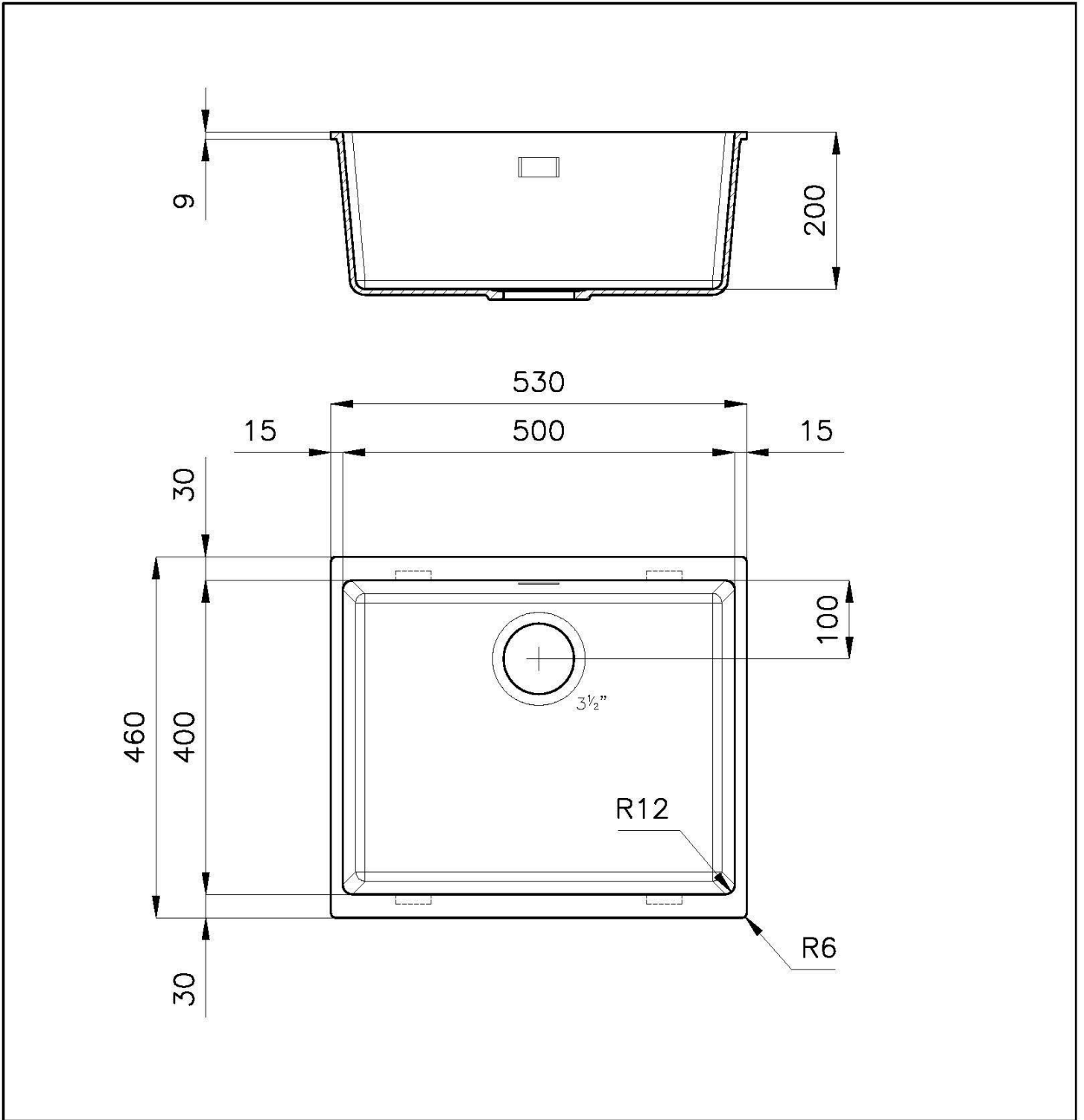
FEATURES

Small radius Bowls with squared shapes with a modern design and an increased capacity, for a minimal aesthetics connected with an extreme practicality.

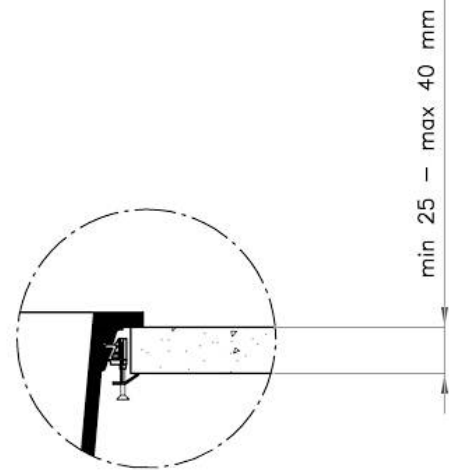
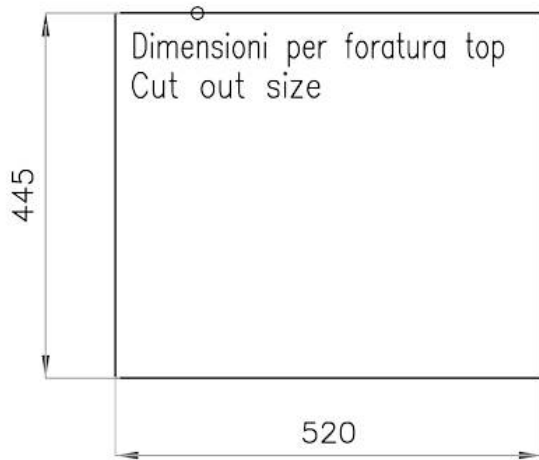
Perimetral overflow The overflow is always a security on the Foster sinks that prevents the overflow of water in case of oversights. The perimeter drain solution improves aesthetics thanks to its square and essential shape.

Basket 3,5" waste fitting The drain is equipped with a large 3.5" drain, with the practical basket cap that prevents the discharge of solid parts.

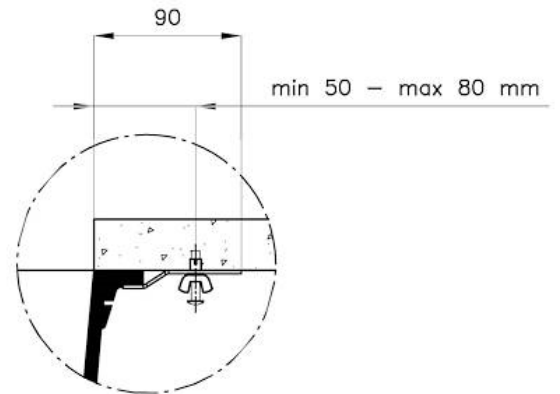
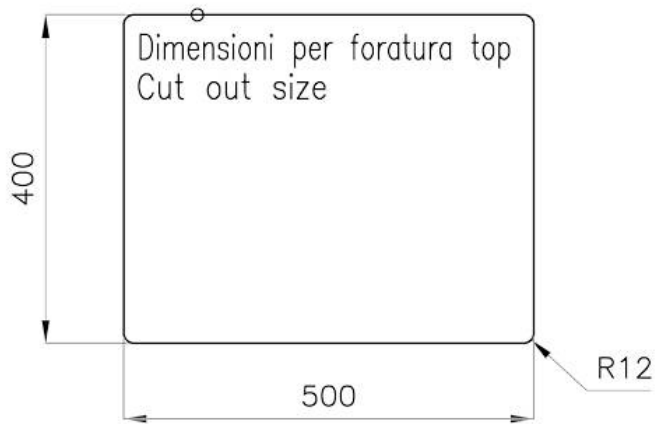
TECHNICAL DATA



SOPRATOP / TOP-MOUNT



SOTTOTOP / UNDER-MOUNT



OPTIONAL ACCESSORIES



Glass chopping board
8631 300



HDPE Chopping board
8657 001



**Iroko-wood sliding chopping board
with stainless steel colander**
8644 044



Stainless steel plate rack
8100 201



White bowl
8153 100